



EXTENDED HEIGHT TOP-R™ MODEL with ADR™

PARTS LIST

QTY	Description
1	Lower Sleeve Section
1	Upper Sleeve Section w/ hinged Damper Lid
4	Cradle Brackets
1	Ceiling Grille
1	Slide-in Therma-Panel™
4	“L” Shaped Mounting Clips
8	1/4” Screws (4 Sheet Metal Screws and 4 Mounting Clip Screws)
2	1/2” Grille Mounting Screws

IMPORTANT:

- ASSEMBLED VENT IS 15 1/2” HIGH – FOR USE WITH R38 INSULATION
- AS DESCRIBED BELOW, UP-DUX® VENT MUST BE SUPPORTED IN THE CEILING BY ITS FOUR MOUNTING CLIPS AND SHOULD NOT BE ATTACHED TO CEILING JOISTS OR FRAMED IN. PRODUCT MALFUNCTION ATTRIBUTABLE TO IMPROPER INSTALLATION MAY NOT BE CLAIMED UNDER 90-DAY LIMITED WARRANTY.
- GARAGE INSTALLATIONS ARE **NOT** CODE-APPROVED.
- MINIMUM ATTIC CLEARANCE OF 20” REQUIRED FOR INSTALLATION OF LOW PROFILE MODEL.
- A SLIDE-IN THERMA-PANEL™ IS INCLUDED WITH EACH UP-DUX® VENT. THIS THERMA-PANEL™ SHOULD ONLY BE USED DURING PERIODS WHEN THE EVAPORATIVE COOLER IS NOT IN OPERATION.
- THE CEILING GRILLE AND THERMA-PANEL™ MAY BE CLEANED WITH A MILD DETERGENT IN COOL WATER.
- REQUIRES SUFFICIENT ATTIC VENTILATION. FOR MORE INFORMATION SEE “UP-DUX® ATTIC VENTILATION RECOMMENDATIONS” AVAILABLE AT www.dialmfg.com (Technical).

CAUTION:

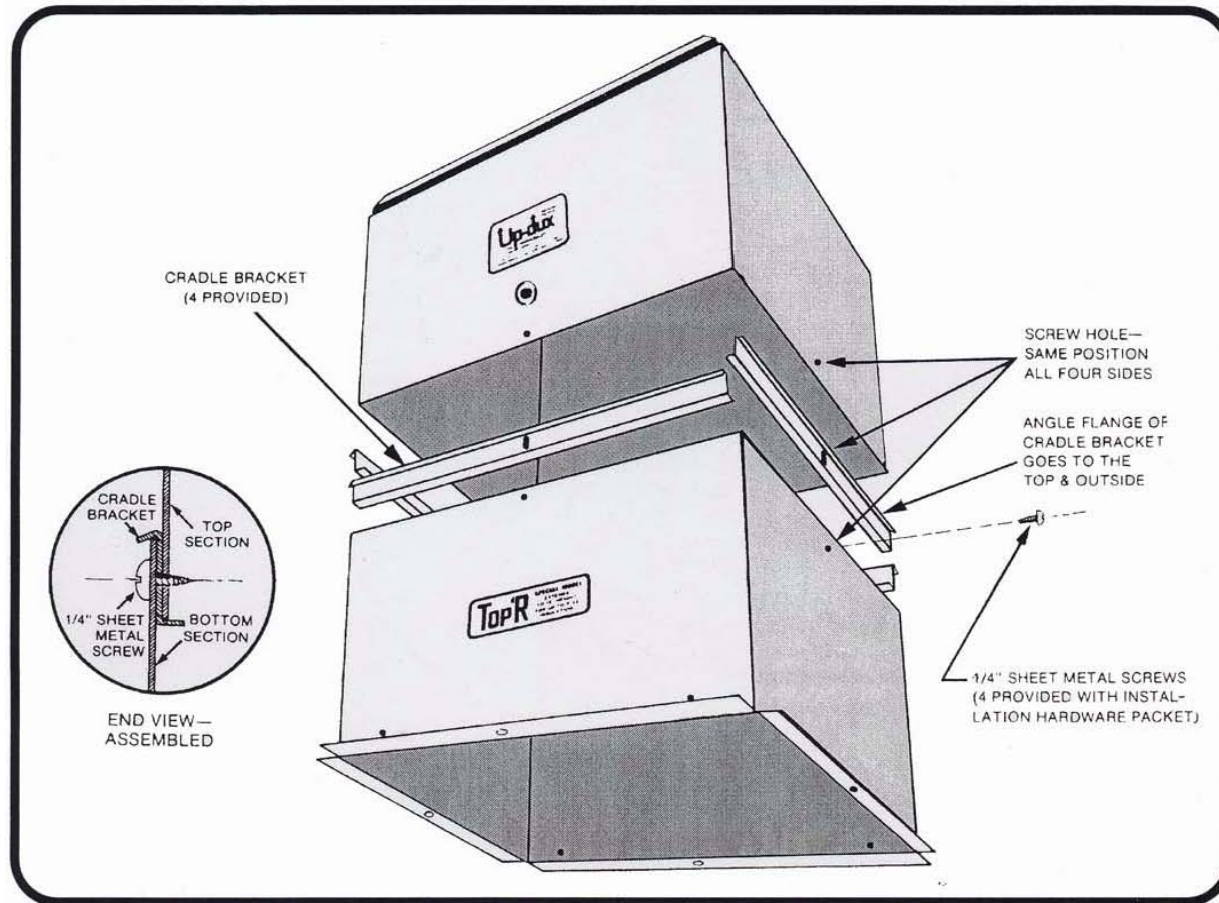
Do not attempt to adjust or change the position of the two ADR™ (Automatic Damper Release) panels. These ADR™ panels are spring loaded and – within the range of normal temperatures – are held open by single-use fusible links.

The fusible links, identifiable from outside the vent by their red color, are anchored through the vent sleeve panels. By design, the vent will automatically respond to abnormally high/emergency-level temperatures by closing its internal dampers – thereby blocking air flow through the vent to and from the attic. Once closed, resetting requires replacement of the fusible links and push-nut fasteners, available on request from Dial Manufacturing, Inc.

ASSEMBLY INSTRUCTIONS

Up-Dux® Ceiling-To-Attic Vent – Extended Height Top-R™ Model

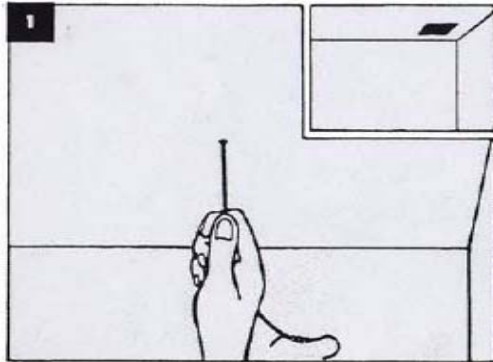
1. Slide the upper sleeve section up and out of the lower sleeve section (upper and lower sleeve sections are telescoped together inside of the package). Place the lower sleeve section on a smooth/level surface.



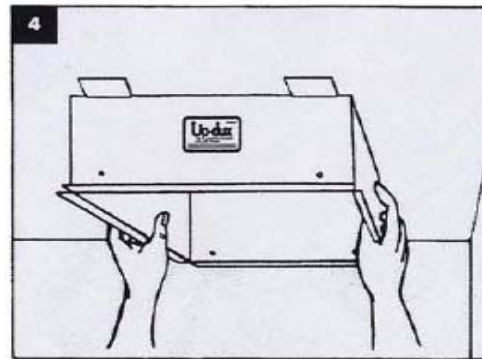
2. With the labeled side of the lower sleeve section facing you, hang the four cradle brackets in position on the inside top edges of the lower sleeve section side-panels. The pre-drilled holes on each cradle bracket should be aligned with the corresponding holes on the side-panels.
3. Carefully place the upper sleeve section into position on the inside flanges of hanging cradle brackets. As illustrated above, the labeled sides of the upper and lower sleeve sections should both be on the same side of the assembled vent sleeve. The pre-drilled holes on all four side-panels of the upper and lower sleeve sections should be aligned with the corresponding holes on the cradle brackets.
4. Secure the upper and lower sleeve sections to one another using 1/4" sheet metal screws.

Up-Dux® Ceiling-to-Attic Exhaust Vent - Installation Instructions (Extended Height Top-R™ Model)

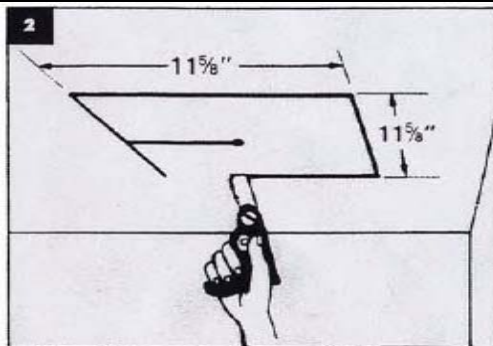
PLEASE READ THE FOLLOWING INSTRUCTIONS IN THEIR ENTIRETY BEFORE STARTING INSTALLATION.



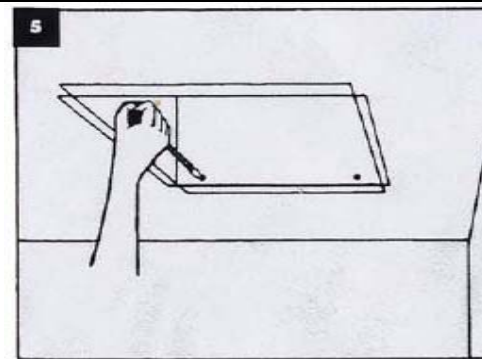
- Select installation location for Up-Dux® vent. For best air circulation, vent should be placed diagonally away from incoming air register(s) and 18" to 24" away from outer house wall (depending on the pitch of the roof).
- Drill a small hole within the selected location, a few inches from the nearest ceiling joist.
- Use a probe (such as the straightened end of a wire coat hanger) to make sure that vent installation will avoid any obstructions within the 20" minimum attic clearance limit.



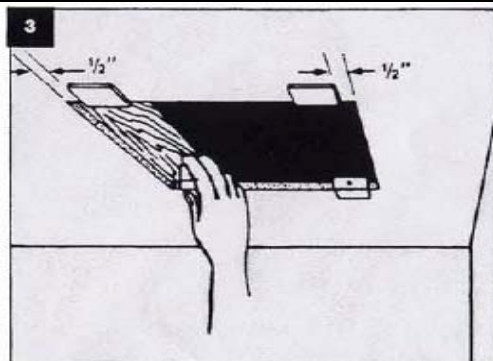
Being careful not to damage the aluminum lid, slide the vent into the ceiling opening – with the hinged end toward the outside house wall.



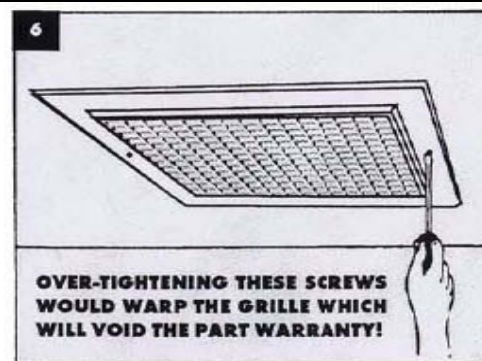
- Cut from the probe hole to the edge of – but NOT into – the ceiling joist.
- Using the ceiling joist as a guide, make a smooth 11-5/8" baseline cut along its length. This baseline cut will be one side of the vent opening. From each end of the baseline cut, measure a distance of 11-5/8" out and away from the ceiling joist.
- Using these measurements, scribe and cut the remaining three sides of the square 11-5/8" x 11-5/8" vent opening.



- Carefully align the pre-drilled holes on the mounting clips with corresponding holes on the vent's front and back (hinge-end) panels.
- Insert the 1/4" mounting clip screws to secure the vent to the ceiling panel.



- Locate the four "L" shaped mounting clips that were included with the vent. Note that these mounting clips have pre-drilled holes that correspond to pre-drilled holes on the front and back (hinge-end) panels of the vent.
- Position and form each "L" shaped mounting clip as follows: (a) place the edge of the mounting clip exactly 1/2" away from the corner of the ceiling opening and (b) with the bottom of the "L" shaped clip held firmly against the bottom of the ceiling panel, press the top-edge of the mounting clip forward and downward, bending the clip around, and securing it to the ceiling panel.



Use 1/2" grille mounting screws and pre-drilled holes to mount the ceiling grille into position on the vent.

IMPORTANT: DO NOT over-tighten the mounting screws. Warping of the ceiling grille frame caused by over-tightened mounting screws may not be claimed under warranty.

**OVER-TIGHTENING THESE SCREWS
WOULD WARP THE GRILLE WHICH
WILL VOID THE PART WARRANTY!**