



# Owner's Manual

## Programmable Low Volt DigiStat Evaporative Cooler Thermostat

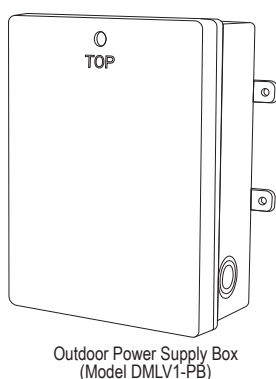
**WARNING:** House voltage can be lethal. Turn OFF electric power before installing. Installation MUST comply with all Local and National Building, Safety, and Electric codes. Installer must be technically qualified for this type of installation. A qualified Electrician should check all wiring and circuit breakers (or main fuses) and be sure that Evaporative Cooler is properly grounded. Use copper conductors only. For supply voltage (AC IN), and for FAN and PUMP load connections, use properly sized wire - follow NEC guidelines for wire AWG size per wire length and load (amperage) ratings. All wires must be rated for at least 90°C.

**CAUTION:** Read complete Owner's Manual first before attempting any installation. Failure to follow all of these instructions could lead to personal injury, and/or property damage.

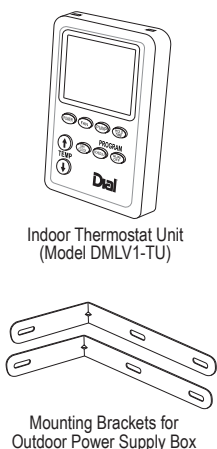
**IMPORTANT:** Your Programmable Low Volt DigiStat thermostat includes two Reset Buttons (see below). When necessary, push button to reset system. Use included tool (or equivalent) to depress Reset Button.

**DANGER:** To Reduce the Risk of Electric Shock, DO NOT connect to a circuit operating at more than 150 volts to ground.

**WARNING:** DO NOT attempt to service or to repair. No user serviceable components.



Outdoor Power Supply Box  
(Model DMLV1-PB)



Indoor Thermostat Unit  
(Model DMLV1-TU)

Mounting Brackets for  
Outdoor Power Supply Box

### A. Introduction

#### 1. Your Programmable Low Volt DigiStat is a residential PWM Low Voltage Thermostat for evaporative coolers that can operate in 3 different modes:

- as a Standard (basic) thermostat;
- or, as a 7-day repeating, Programmable thermostat, with one Set-back Period per day;
- or, it can over-ride the above two modes for a defined amount of time by using its "HOLD TIME" feature.

#### 2. It Operates:

- with rated input voltages (single phase) of 120vac, 60Hz, or 240vac, 60Hz;
- a one speed OR a two speed FAN (Blower Motor), up to 1HP;
- a Pad Pump;
- a separate Drain Pump (use a "Low Level" Pad Pump, for example Dial's Pump Model UL5000).

**Note:** FAN (Blower Motor) and Pumps must have same rated voltage.

#### 3. During its Operation:

- User picks desired Set Point Temp (SPT).
- User can select 3 different FAN (Blower Motor) settings: AUTOmatic, or LO speed only, or HI speed only.
- Pad Pump is either "ON" or "OFF" (Cool or Vent).
- LCD alternately displays Room Temp, or Day of Week with Time of Day.
- Different SPT, FAN (Blower Motor), and Pad Pump parameters can be selected during Program (PRGM) and HOLD TIME modes.
- System cannot display temperatures in degrees Celsius.
- Using System Test Buttons, diagnostic tests can be conducted while at the Outdoor Power Box.

#### 4. Electrical:

- Input (single phase only): 120vac, 60Hz, or 240vac, 60Hz
- Output:
  - FAN (Blower Motor): up to 1HP (120v, 16A; or 240v, 8A)
  - Pad Pump: 120v, 1.8A, or 240v, 0.9A
  - Drain Pump: 120v, 1.0A, or 240v, 0.5A

**Note:** No Fuse exists.

### A. Introduction (cont.)

#### 5. Contents:

- Outdoor Power Supply Box (Model DMLV1-PB). Note that this is the Outdoor Operating Control for this Low Voltage Thermostat, which is Independently and Surface Mounted, a Type 1.B Action, Pollution Degree 4/3, an Impulse Voltage rating of 2500V, and it includes terminal blocks J101 to J104.
- Indoor Thermostat Unit (Model DMLV1-TU). Note that this is the Indoor Operating Control for this Low Voltage Thermostat, which is Independently and Surface Mounted, a Type 1 Action, Pollution Degree 2, an Impulse Voltage rating of 330V, and it includes terminal block J201.
- Mounting Brackets for Outdoor Power Supply Box (Optional).
- Bag of Parts:
  - Wall Mounting Plate, for Indoor Thermostat Unit
  - Jumper Wire
  - Wire Nut
  - Reset Tool

**Note:** This Outdoor Power Supply Box and its Indoor Thermostat Unit are NOT compatible with other low volt thermostats, and therefore, these assemblies cannot be "mixed" with such.

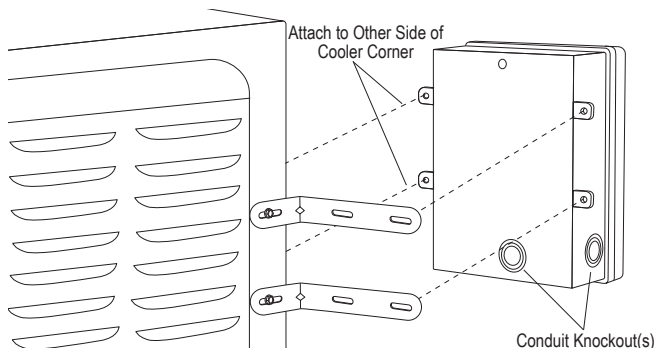
#### 6. Parts Needed - Not Included:

- All necessary wiring, and related outdoor rated water tight electrical fittings and conduit.
- Fasteners for Indoor Wall Mounting Plate and for Outdoor Power Box.

### B. Installation & Initial Set-up

**IMPORTANT:** Turn off electricity at circuit breaker before working on thermostat or on evaporative cooler.

1. Pick location to mount Outdoor Power Box, while considering which knockout(s) to use. Typically, mount Outdoor Power Box onto outside of cooler. DO NOT mount Outdoor Power Box in attic (or equivalent) where temperatures can become too extreme in summertime. DO NOT mount Outdoor Power Box where it can be damaged by cooler water (for example, under Pad Frame). Position Outdoor Power Box with "TOP" up (see its Cover). Many mounting options exist - where possible, mount Outdoor Power Box to flat surface. If needed, two mounting brackets are included to help locate Outdoor Power Box onto corner of cooler. Outdoor Power Box must be securely mounted, and its mounting must meet all Local and National Building, Safety, and Electric codes.



#### 2. Remove Cover from Outdoor Power Supply Box.

3. Remove appropriate knockout(s). Wear safety glasses for eye protection. Place Outdoor Power Box on firm and sturdy surface. Use suitable cutting tools, or hammer and flat-headed screwdriver. **Note:** 3/4 inch to 1/2 inch Reducing Washers are available at local hardware stores if larger knockout hole opens when smaller knockout hole was desired.

4. Mount Outdoor Power Box. Review Step B1, above. Installer is responsible to ensure Outdoor Power Box mounting is secure and that proper mounting hardware is used. Outdoor Power Box mounting must meet all Local Building, Safety, and Electric codes. Fasteners not included.

5. Properly install water tight electrical fittings and conduit, which are outdoor rated and correctly sized.

6. Remove Inner-barrier, (3 screws) located inside Outdoor Power Box.

7. Pick location for Indoor Thermostat Unit. Locate unit indoors so that it senses average house temperatures and it is not subject to unusual temperature variations. Avoid positioning it nearby an air conditioning vent or within an immediate area of a heat-generating appliance. Normally a hallway location is best.

8. Fasten Wall Mounting Plate for Indoor Thermostat Unit to wall, or to junction box. Fasteners not included.

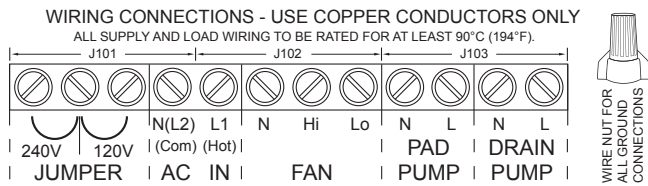
9. Where Needed, Make Hole in Wall for terminal block clearance and for low volt wires.

#### Hints for Wire Installation into Terminal Blocks:

- Confirm each terminal screw is all the way open (CCW).
- Hold (and insert) wire using needle nose pliers.

## B. Installation & Initial Set-up (cont.)

- 10. Install and Connect Low Voltage wiring**, between backside of Indoor Thermostat Unit and inside Outdoor Power Box, "RED" to "RED", "GREEN" to "GREEN", and "WHITE" to "WHITE". For Indoor Unit, wires connect into top side of terminal block. Wire not included. Use 18 AWG, 3 conductor, copper wire, designated for Outdoor use - this "Thermostat Wire" is commonly available at local hardware stores. Maximum length is 100 foot. **IMPORTANT:** To avoid possible signal interference, do not install low volt wires immediately next to any other wires (supply voltage; FAN (Blower Motor); Pumps).
- 11. Mount (position top and then snap bottom) Indoor Unit onto its Wall Mounting Plate.** Note, to remove Indoor Unit from its Wall Mounting Plate, dislodge Indoor Unit from Wall Plate bottom snaps using 1/8 inch or 9/64 inch wide flat headed screwdriver.
- 12. Connect wires from FAN (Blower Motor) and from Pump(s) to Outdoor Power Box.** Follow wiring connection diagram below, and on label inside Cover of Outdoor Power Box. Use correct AWG size wire, copper conductors only, at least 90°C rated. Where applicable, use proper outdoor rated wire, or locate wiring inside outdoor rated electrical conduit. Note, insure Pad Pump wires are correctly connected. If a Drain Pump is desired, use a "Low Level" evaporative cooler Pad Pump for this feature (for example, Dial Mfg Pump Model UL5000, PN 1050 or PN 1055) - do not install a typical timed Purge Pump (timer pump) for the Drain Pump feature.



- 13. Connect Jumper Wire. IMPORTANT: Jumper Wire is included and it MUST be correctly installed. Otherwise, transformer can be damaged and then warranty is void.** For 120V supply voltage, use middle and right terminals of JUMPER section. For 240V supply voltage, use middle and left terminals of JUMPER section. Follow wiring connection diagram, and markings on its printed circuit board.
- 14. Connect Supply Voltage. IMPORTANT: Confirm that electricity is disconnected before proceeding.** With circuit breaker "OFF" or main fuse disconnected, connect wires of 120VAC or 240VAC electric power to "AC IN" terminals in Outdoor Power Box. Follow wiring connection diagram, and markings on its printed circuit board.
- 15. Re-mount Inner-barrier** (3 screws) onto printed circuit board of Outdoor Power Box.
- 16. Place and secure cover** onto Outdoor Power Supply Box.
- 17. Turn circuit breaker "ON" or re-connect main fuse.** LCD of Indoor Thermostat unit should be active. If needed, see Section F for Troubleshooting assistance.
- 18. Adjust date and time.** Press "DAY/CLOCK" button, and then "UP" or "DOWN" arrow buttons as needed. If needed, see Section C1 for more details.

## C. System Operation

Once properly installed, LCD will constantly display chosen Set Point Temperature (SPT) value in top left hand corner. And, LCD will alternate between measured Room Temp value, and Day of week with Time of day.

- To Adjust Day of Week, and Time of Day:** Power icon can be either "ON" or "OFF". Press and release "DAY/CLOCK" button. Use "UP" and "DOWN" arrow buttons to adjust day of week. Then, press and release "DAY/CLOCK" button to confirm (store) day of week. Next, use "UP" and "DOWN" arrow buttons to adjust time of day. Press and release "DAY/CLOCK" button to confirm time of day, or after about 10 seconds of no input this value will be stored automatically.
- For Standard (basic) Thermostat mode:** Power icon must be "ON" (press and release "POWER" button if needed). Program and HOLD TIME modes both must be in "OFF" state. Adjust Set Point Temperature (SPT) using "UP" or "DOWN" arrow buttons, as desired. Also, press and release "FAN" button as needed to choose between "AUTOMATIC", or "LOW" speed only, or "HIGH" speed only operation. And press and release "PUMP" button to choose Pad Pump "ON" or "OFF" (Cool or Vent), as desired.
- For Program mode:** Program mode is 7-day repeating, with one Set-back Period per day. To turn Program mode "ON" or "OFF", Power icon must be "ON", and then press and release "RUN/OFF" button. During active Program mode, "PRGM: ON" segment is displayed on LCD, and its 7-day program cycle will repeat. Note, Program mode will supersede the Standard (basic) thermostat mode. When Program mode is "ON", system will follow the parameters of its programmed Set-back Period for that day. When outside of Set-back Period, system will behave as a Standard (basic) thermostat and all related system parameters (SPT, FAN (Blower Motor) speed, etc.) can be adjusted as desired, per above. The following parameters can be defined during each Set-back Period: Day, Leave Time, Return Time, SPT, FAN (Blower Motor) speed, and Pad Pump "ON" or "OFF". To adjust each Set-back Period and its parameters for the Program schedule, see Section E, **CHANGE PROGRAM SCHEDULE.**

## C. System Operation (cont.)

- 4. For HOLD TIME mode:** HOLD TIME mode will over-ride above two modes for a defined amount of time. To turn HOLD TIME mode "ON" or "OFF", Power icon must be "ON", and then press and release HOLD TIME button. When active, "HOLD TIME" icon will show "ON", and LCD will alternately show amount of HOLD TIME remaining. Note, while operating in HOLD TIME mode, this mode supersedes the other two operating modes. When "HOLD TIME" mode is activated, user can choose new values (or keep the previous values) for SPT, FAN (AUTO, LO, or HI), and Pad Pump (ON or OFF), and then, the system will follow these selected parameter values until the HOLD TIME hour value expires. To adjust HOLD TIME hour value, see Section D, Step 2-g; **SYSTEM PARAMETERS.**
- 5. Other System Operating Notes:**
  - For all 3 operating modes, during a Pad Pump Pre-Wet cycle, "PRE-WET" segment blinks on the LCD.
  - For all 3 operating modes, when Drain Pump is active, "DRAIN CYCLE" segment blinks on the LCD.
  - During all 3 operating modes, there are 1 to 2 minute "system-delays" built into the software, in order to provide an overall smoother system operation and to prolong component life.
  - The System will keep the evaporative cooler "ON" (active) until the measured Room Temp is "ASP" °F lower than the Set Point Temp (SPT). Thus, for a SPT of 77°F and an ASP value of 2°F (its default value), then the System will keep the evap cooler active until it measures a Room Temp of 75°F. The ASP value can be adjusted, between 1, 2, or 3°F (see Section D, Step 2-j for adjustment details). **Note: The higher the ASP value, the less often the evap cooler will cycle from OFF to ON (and this can help extend component life).**
  - During all 3 operating modes, when FAN (Blower Motor) icon is "AUTO", in general:
    - System will operate FAN on High speed if Room Temp is at least 3°F above SPT.
    - When Room Temp is 2°F above SPT, System may operate FAN on either High speed or on Low speed, depending on previous Room Temp measurements.
    - System will operate FAN on Low speed if Room Temp is 1°F above SPT, and until the above ASP condition of Section C, Step 5-d is met.
  - The displayed Room Temp value can be adjusted (calibrated) to more closely match another nearby thermostat, if desired. See Section D, Step 2-k for adjustment details.
  - The Drain Pump can be immediately activated. See Section D, Step 2-i for these details.
  - System can be reset back to its original factory default conditions. For this, press and release "RESET" button on backside of Indoor Unit, or inside Outdoor Power Box.
  - No degree Celsius operation.

## D. System Parameters

### 1. The original system (factory) default parameter values are:

- Day and Time: Saturday (SA), 8am
- Set Point Temperature (SPT): 77°F
- FAN (Blower Motor) speed: AUTOMATIC
- Pad Pump: ON
- Program mode: OFF
- HOLD TIME mode: OFF
- HOLD TIME hour value: 2 hours (other HOLD TIME default values are: SPT is 80°F, FAN is AUTO, and PUMP is ON)
- Pad Pump Pre-Wet time: 4 minutes
- Drain Pump Cycle time: 8 hours (*Note: once activated, Drain Pump remains "ON" for 5 minutes, and this value is not adjustable*)
- Adjustable Sensitivity Parameter (ASP) value: 2°F
- Room Temperature Calibration value: 0°F
- Program Schedule: Set-back Period for Monday to Friday, "LEAVE" time is 8am, "RETURN" time is 4pm, SPT is 80°F, FAN (Blower Motor) speed is "AUTOMATIC", and Pad Pump is "ON". Saturday and Sunday, Set-back Period is "OFF". To change Program schedule Set-back Period parameters, see Section E.

**Note:** Press and release "RESET" button (on backside of Indoor Unit, or inside Outdoor Power Box) to restore all original factory default settings.

### 2. Adjust system parameter values as follows:

**Note:** During each step, after 5 seconds of no input, the latest updated values will be stored automatically, and System will return LCD to its previous state.

- Day of Week and Time of Day: Follow sequence in Section C, Step 1.
- Set Point Temperature (SPT): Power icon "ON". Press "UP" or "DOWN" arrow buttons to adjust.
- FAN (Blower Motor) speed: Power icon "ON". Press and release "FAN" button as needed to choose between "AUTOMATIC", or "LOW" speed only, or "HIGH" speed only, operations.
- Pad Pump (PUMP): Power icon "ON". Press and release "PUMP" button to choose Pad Pump "ON" or "OFF" (Cool or Vent).
- Program mode: Power icon "ON". Press and release "RUN/OFF" button to choose Program mode "ON" or "OFF". Review Section C, Step 3 or Section E for more details.

## D. System Parameters (cont.)

- HOLD TIME mode: Power icon "ON". Press and release "HOLD TIME" button to choose HOLD TIME mode "ON" or "OFF". Review Section C, Step 4 or Section D, Step 2-g for more details.
- HOLD TIME hour value: Power icon "OFF". Press and release HOLD TIME button. Then press "UP" or "DOWN" arrow buttons to adjust between 2, 4, 6, 8, or 10 hours.
- Pad Pump Pre-Wet time: Power icon "OFF". Press and hold both "PUMP" and "UP" arrow buttons for about 4 seconds. Then press "UP" or "DOWN" arrow buttons to adjust between 4 minutes, or 2 minutes, or 0 minutes (no pre-wet).
- Drain Pump Cycle time: Power icon "OFF". Press and hold both "PUMP" and "DOWN" arrow buttons for about 4 seconds. Then press "UP" or "DOWN" arrow buttons to adjust between 6, or 8, or 12 hours. Note, if 0 hours is chosen, this will start a 5 minute drain cycle immediately after Power icon is turned back "ON", and the previous Drain Pump Cycle time value will be re-stored.
- Adjustable Sensitivity Parameter (ASP) value: Power icon "OFF". Press and hold both "FAN" and "UP" arrow buttons for about 4 seconds. Then press "UP" or "DOWN" arrow buttons to adjust between 1, 2, or 3°F.
- Room Temperature Calibration value: Power icon "OFF". Press and hold both "UP" and "DOWN" arrow buttons for about 4 seconds. Then press "UP" or "DOWN" arrow buttons to adjust the value of the Room Temperature that is displayed, by +10°F to -10°F.
- Program Schedule Set-back Period Parameters: See Section E.

**Note:** If an electric power outage occurs, all system parameter values are saved, except Day of Week and Time of Day (because MCU clock has no power). Thus, upon return of electric power, Day of Week and Time of Day may need to be updated.

## E. Change Program Schedule

### Change Set-back Period Parameters

Your Programmable Low Volt DigiStat thermostat can be programmed for up to one Set-Back Period for each day, from Sunday to Saturday. When Program mode is active (PRGM: ON), then this 7-day program cycle will repeat. The default programmed Set-back days are:

- Sunday: "OFF" (no Set-back Period).
- Monday to Friday: "LEAVE" time is 8am; "RETURN" time is 4pm; SPT is 80°F; FAN is "AUTO"; and PUMP is "ON".
- Saturday: "OFF" (no Set-back Period).

For each day, the Set-back "LEAVE" time, "RETURN" time, SPT, FAN (AUTO, or LO, or HI), and PUMP (ON or OFF) can be adjusted. The Set-back Period for any Day of the Week can be turned "OFF", or a Day that is "OFF" can be re-established (see below for these details).

**Note:** While changing a Program Schedule (while changing the Set-back Period parameters) as shown below, after about 10 seconds of no input during a step, the latest updated values will be stored automatically, and System will return LCD to its previous state.

- To change the Set-back Period parameters for a Day:**
  - Press and release "SCHEDULE" button (Power icon can be "ON" or "OFF").
  - Press "UP" or "DOWN" arrow buttons until desired Day of Week segment is shown on LCD; press and release "SCHEDULE" button to select this Day.
  - Press "UP" or "DOWN" arrow buttons until desired "LEAVE" time is shown; press and release "SCHEDULE" button to store this Leave time.
  - Press "UP" or "DOWN" arrow buttons until desired "RETURN" time is shown; press and release "SCHEDULE" button to store this Return time.
  - Press "UP" or "DOWN" arrow buttons to select desired SPT value; press and release "SCHEDULE" button to store this SPT value.
  - Press "FAN" button as needed to select desired FAN operation (AUTO, or LO speed only, or HI speed only); press and release "SCHEDULE" button to store this FAN value.
  - Press "PUMP" button as needed to select its desired operation (ON or OFF).
  - Press and release "SCHEDULE" button to store this PUMP value; and at this point, LCD will return to its previously displayed state.
  - Repeat above steps a through h for each day.
- To Make the Monday to Friday Set-back Period parameters all the same:**
  - Follow Section E, Steps 1-a to 1-g above, for Monday.
  - After Section E, Step 1-g is completed, press and hold the "SCHEDULE" button for about 5 seconds - this action will store that last PUMP value and it also will copy that Monday's schedule to Tuesday, Wednesday, Thursday, and to Friday.
- To Copy a Set-back Period from one Day to another Day:**
  - Press and release "SCHEDULE" button (Power icon can be "ON" or "OFF").
  - With "MO" (Monday) segment blinking on LCD, then press and hold both "FAN" and "PUMP" buttons for about 5 seconds; "COPY" segment will then show on LCD.
  - Press "UP" or "DOWN" arrow buttons until desired Day to copy is blinking.
  - Press and hold both "FAN" and "PUMP" buttons for about 5 seconds; "COPY TO" segment will then show on LCD.
  - Press "UP" or "DOWN" arrow buttons until desired Day to copy-to is blinking.
  - Press and release "SCHEDULE" button to complete this task.

## E. Change Program Schedule (cont.)

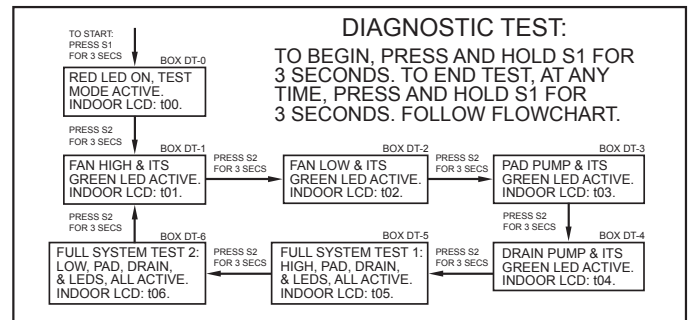
- To turn "OFF" a Set-back Period for a Day:**
  - Press and release "SCHEDULE" button (Power icon can be "ON" or "OFF").
  - Press "UP" or "DOWN" arrow buttons until desired Day of Week segment is shown on LCD; press and release "SCHEDULE" button to select this Day.
  - Press "UP" or "DOWN" arrow buttons until the "LEAVE" time is the same as the "RETURN" time.
  - Press and release the "SCHEDULE" button; LCD will show "OFF" for that day.
  - Press and release "SCHEDULE" button until System returns LCD to its previous state.
- To create a Set-back Period for a Day that is currently in an "OFF" state:**

**Note:** To change from an "OFF" state, the Leave time and Return time cannot be the same value.

  - Press and release "SCHEDULE" button (Power icon can be "ON" or "OFF").
  - Press "UP" or "DOWN" arrow buttons until desired Day of Week segment is shown on LCD; press and release "SCHEDULE" button to select this Day.
  - At this point for a Day that is currently in an "OFF" state, the "LEAVE" time will show "OFF"; from here, press "UP" or "DOWN" arrow buttons until desired "LEAVE" time is displayed; press and release "SCHEDULE" button to store this Leave time.
  - Follow Section E, Steps 1-d to 1-h to complete this task.

## F. Troubleshooting

- System diagnostic tests** can be conducted to help solve problems quickly. Two (2) System test buttons exist in Outdoor Power Supply Box for diagnostic testing. See flowchart diagram below.



To begin a diagnostic test, press and hold test button S1 for about 3 seconds - then, the Red LED turns "ON", all nearby Green LED's remain "OFF", FAN (Blower Motor) and Pumps turn "OFF", and the Indoor LCD blinks "t00". Press and hold test button S2 for about 3 seconds - then, Red LED remains "ON", High speed of FAN (Blower Motor) should turn "ON", its Green LED turns "ON" (all other items are "OFF"), and Indoor LCD blinks "t01". Continue per flowchart, as desired. To stop diagnostic test, at any point, press and hold test button S1 for about 3 seconds, afterwards, System will then return to its previous state prior to entering the diagnostic test.

- System can be reset** back to its original factory default conditions. For this, press and release "RESET" button using Reset Tool (or equivalent), inside Outdoor Power Box or on backside of Indoor Unit (if needed, remove Indoor Unit from bottom snaps of its Wall Mounting Plate by using 1/8 inch or 9/64 inch wide flat headed screwdriver).
- Additional Troubleshooting Tips:** See following page for troubleshooting table.

## Limited Warranty

- Programmable Low Volt DigiStat is warranted under normal use for one (1) year from date of sale to user by an authorized dealer or retailer.
- Systems that fail as a result of a defect in material or workmanship must be replaced through your authorized dealer or retailer.
- Reason for return, purchase date, failure date, and sales receipt must accompany all returned systems.
- This Warranty does not cover damage or malfunction not caused by defect in material or workmanship, including but not limited to internal water damage, abuse, alteration, improper installation and/or transportation damage.
- Dial will not pay the cost of a service call at the site of installation to diagnose cause of trouble or the cost of labor or transportation to replace defective control systems.
- Dial is not responsible for any incidental or consequential damage resulting from any malfunction unless required to do so by State Law.



## Troubleshooting Guide

CONDITION	POSSIBLE CAUSE	CORRECTIVE ACTION	
Indoor LCD is Blank (No Display)	No Supply Voltage	Measure voltage across 'AC IN' terminals. If no voltage, circuit breaker tripped (main fuse blown), or a bad connection. Disconnect electricity and fix issue.	
	If Supply Voltage is Okay Across 'AC IN' Terminals.	Jumper Wire Not Installed	Disconnect electricity and install jumper wire per Section B, step 13.
		'RED' Low Volt Wire Connection is Bad	Disconnect electricity and double check all connections, or replace wire.
		'GREEN' Low Volt Wire Connection is Bad	Disconnect electricity and double check all connections, or replace wire.
Error Code 'E01' Shows on Indoor LCD	'WHITE' Low Volt Wire Connection is Bad	Disconnect electricity and double check all connections, or replace wire. Reset system or replace system.	
Error Code 'E02' Shows on Indoor LCD	Issue with Outdoor Power Box Assembly	Reset system (press and release Reset button). Otherwise, replace system.	
Error Code 'E03' Shows on Indoor LCD	'AC IN' is 120V but Jumper Wire in 240V Position	Disconnect electricity and re-position jumper wire to terminals 2 and 3 (120V position). See text on PCB of Outdoor Power Supply Box.	
Error Code 'E04' Shows on Indoor LCD	'AC IN' is 240V but Jumper Wire in 120V Position	Fix quickly to avoid transformer damage! Disconnect electricity and re-position jumper wire to terminals 1 and 2 (240V position). See text on PCB of Outdoor Power Supply Box.	
System Does Not Immediately Respond	Built-In Software System Delay. See Section C, Steps 5-c & 5-d	Wait 1 to 2 minutes for system to respond. Otherwise, reset system.	
Day of Week and Time of Day, Blinking	Recent Electric Power Outage Occurred	See Section C, Step 1 to set Day of Week and Time of Day.	
Fan (Blower Motor) Does Not Work	Active Pad Pump Pre-Wet Cycle	Wait for 'Pre-Wet' segment on LCD to stop blinking. See Section D, step 2-h to adjust pad pump pre-wet time.	
	Faulty Wiring of Fan (Blower Motor)	Verify all fan (blower motor) wires are correctly connected. Review wiring connection diagram.	
	Built-In Software System Delay. See Section C, Steps 5-c & 5-d	Wait 1 to 2 minutes for system to respond.	
	Fan Failed (Blower Motor is Bad)	Follow diagnostic test flowchart to Box DT-1 or DT-2. If fan does not operate, replace fan (replace blower motor).	
	Power Icon is "OFF"	Press and release POWER button to turn thermostat on.	
	Set Point Temperature (SPT) < Room Temperature	Lower Set Point Temperature (SPT).	
Pad Pump Does Not Work	Faulty Wiring of Pad Pump	Verify all pad pump wires are correctly connected. Review wiring connection diagram.	
	Built-In Software System Delay. See Section C, Steps 5-c & 5-d	Wait 1 to 2 minutes for system to respond.	
	Pad Pump Failed	Follow diagnostic test flowchart to Box DT-3. If pad pump does not operate, replace pad pump.	
Drain Pump Does Not Work	No Drain Pump Installed	Install drain pump. Use a standard evaporative cooler pad pump.	
	A 'Timed' Drain Pump is Installed	Do not use a 'Timed' drain pump. Install a standard evaporative cooler pad pump.	
	Faulty Wiring of Drain Pump	Verify all drain pump wires are correctly connected. Review wiring connection diagram.	
	Drain Pump Cycle Time Not Completed	Wait for drain cycle to activate. See Section D, Step 2-i to conduct an immediate drain pump cycle.	
	Drain Pump Failed	Follow diagnostic test flowchart to Box DT-4. If drain pump does not operate, replace drain pump.	
Room Temperature Different Than Other Nearby Thermostat	Not Unusual for Multiple Thermostats	'Calibrate' DigiStat. See Section D, Step 2-k, to adjust displayed room temperature.	
Cover Screw of Outdoor Power Supply Box is Lost	Oops	Replacement Screw is: #8-18 x 3/8" Long, TSA (sheet metal screw), Phillips Pan Head, Zinc Plated Steel	