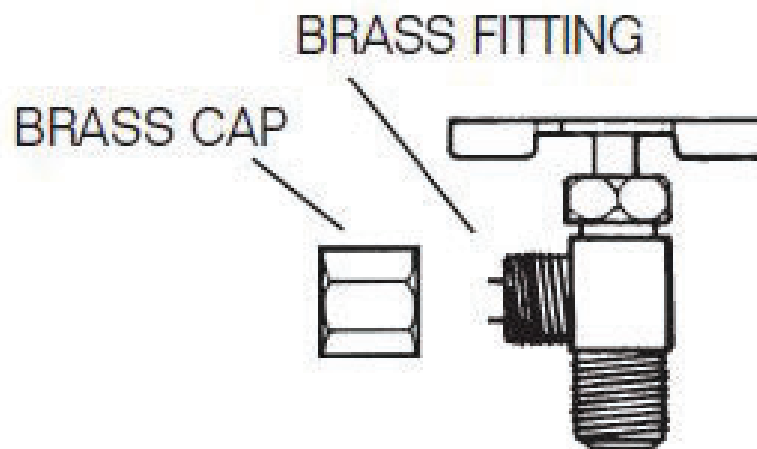


**CAPS STANDARD 1/4cc
FLOAT VALVE THREADS OR
ANY 1/4cc BRASS FITTING**

**REMOVE WATER SUPPLY LINE
DURING FREEZING WINTER MONTHS**



**CAUTION: Turn off electricity at circuit breaker
before working on evaporative cooler.**

Attach to float valve or brass fitting
at the start of winter.

NOT FOR USE WITH POTABLE WATER LINES

**⚠ WARNING: Cancer and Reproductive
Harm - www.P65Warnings.ca.gov.**

PN 9525 Form 99037-0519



www.dialmfg.com Made in China
© Copyright 2019 Dial Mfg., Inc. Phoenix, AZ