

# WATER SHUT OFF CONTROL VALVE FOR CONNECTING 1/4" COPPER OR POLY WATER LINE TO EVAPORATIVE COOLER OR HUMIDIFIER

**CAUTION: Turn off electricity at circuit breaker  
before working on evaporative cooler.**

## INSTALLATION INSTRUCTIONS

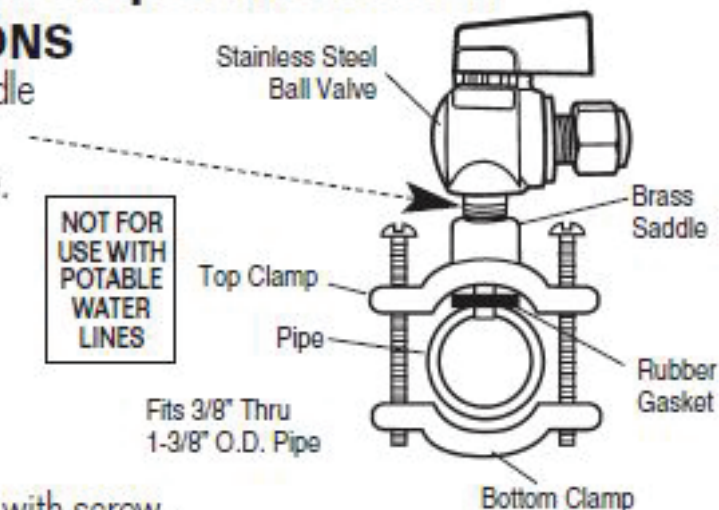
1. Securely attach ball valve to brass saddle using Teflon tape pipe thread sealant.
2. Shut off water supply and drain the line.
3. Drill 1/4 inch diameter hole in pipe. Use a hand drill to avoid shock hazard.
4. Securely attach brass saddle to copper or steel pipe. a) Center the rubber gasket and ball valve over the 1/4 inch hole. b) Loosely assemble one side of top clamp to bottom clamp with screw.

Assemble other side of top clamp to bottom clamp with screw. Tighten both screws.

5. Securely attach 1/4 inch OD copper or poly tubing to ball valve.
6. Turn on water and check for leaks.

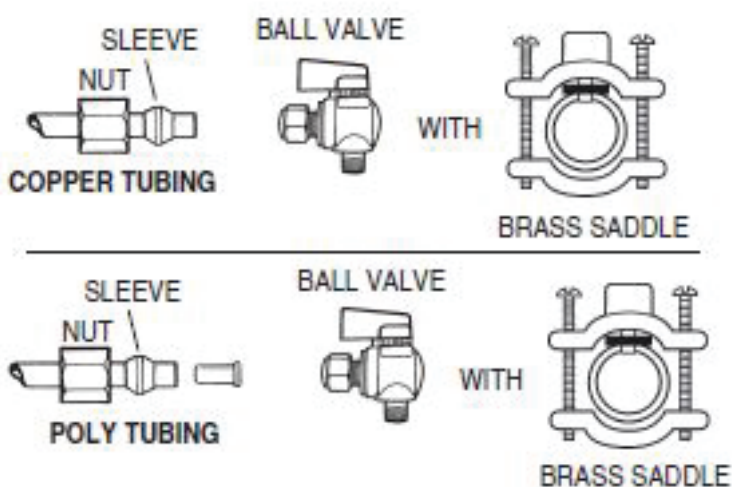
### Copper Tubing:

1. Cut the end of the tube square to ensure proper fit.
2. Place nut and sleeve onto copper tube.
3. Tighten nut with a wrench.



### Poly Tubing:

1. Cut the end of the tube square to ensure proper fit.
2. Place nut and sleeve onto poly tube.
3. Insert poly tube adapter into end of tube.
4. Tighten nut with a wrench.



**Do not use on PVC pipe.**

**⚠ WARNING: Cancer and Reproductive Harm - [www.P65Warnings.ca.gov](http://www.P65Warnings.ca.gov).**

PN 9446 Form 993524-0519



[www.dialmfg.com](http://www.dialmfg.com) Made in China  
© Copyright 2019 Dial Mfg., Inc. Phoenix, AZ